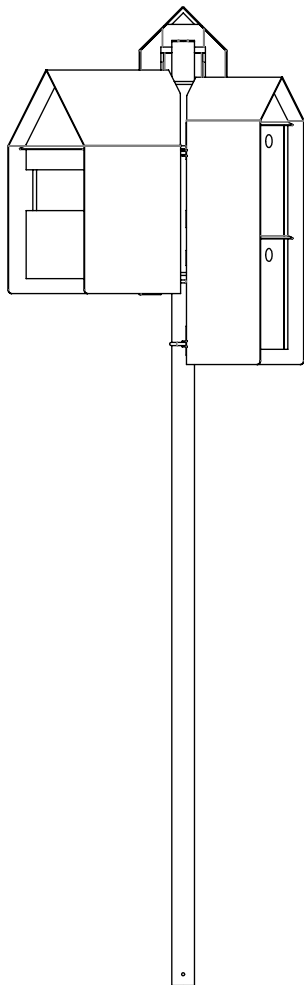


vestre

Habitats

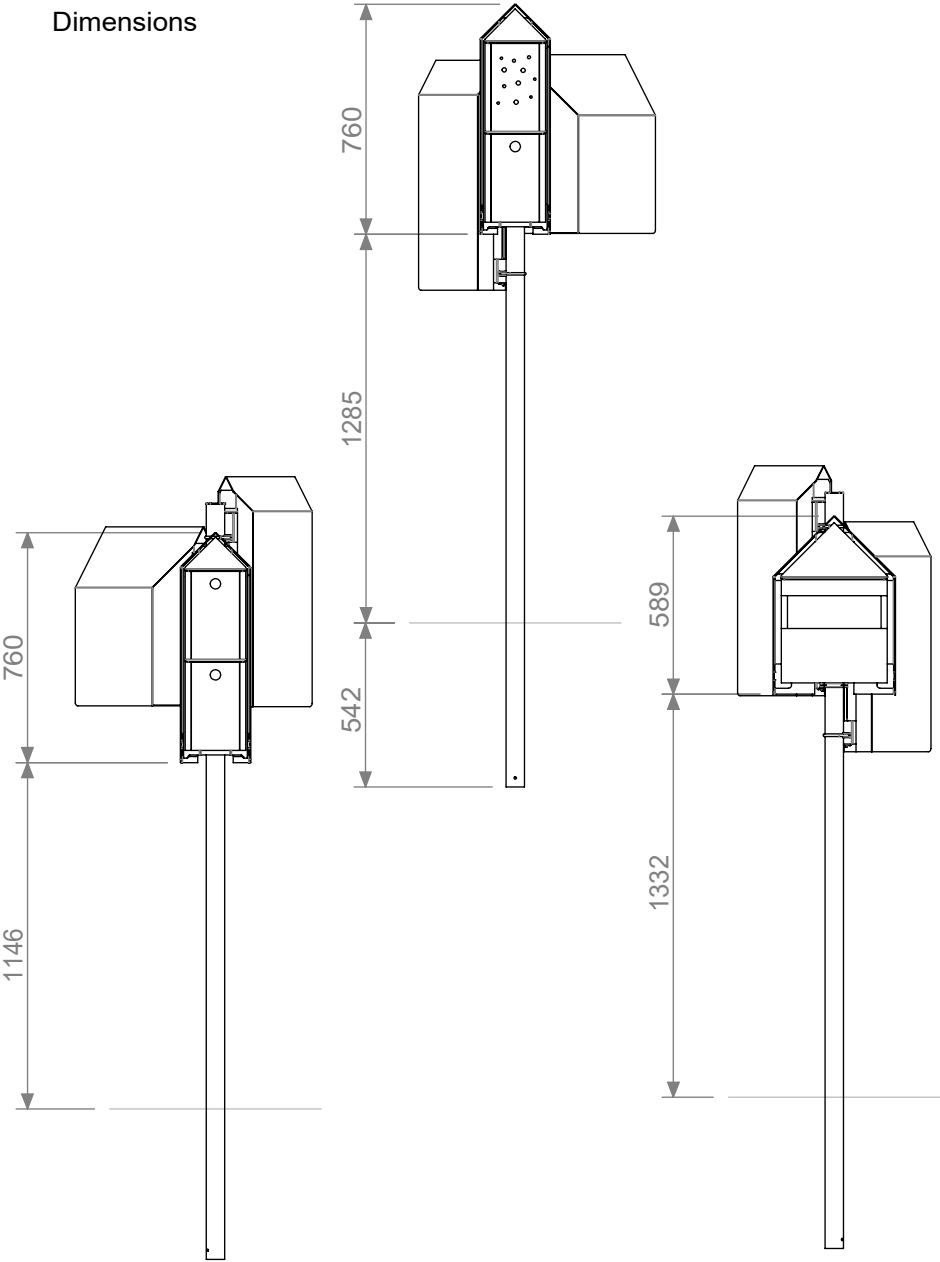
Birdhouse, insect hotel

Article no: 5823C

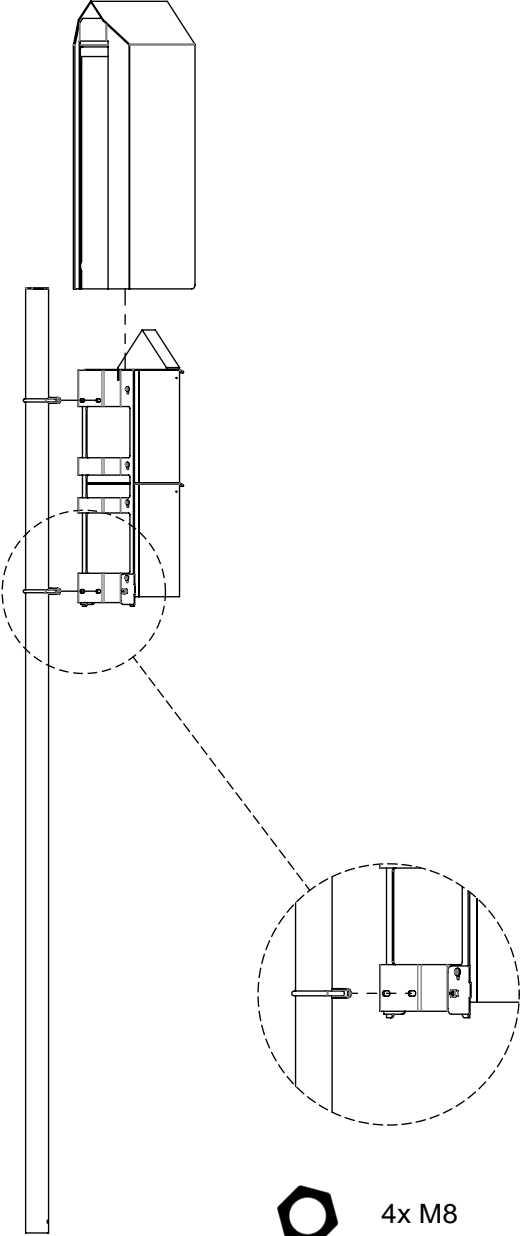


51 Kg

Dimensions



Same mouning on
all variations



4x M8

